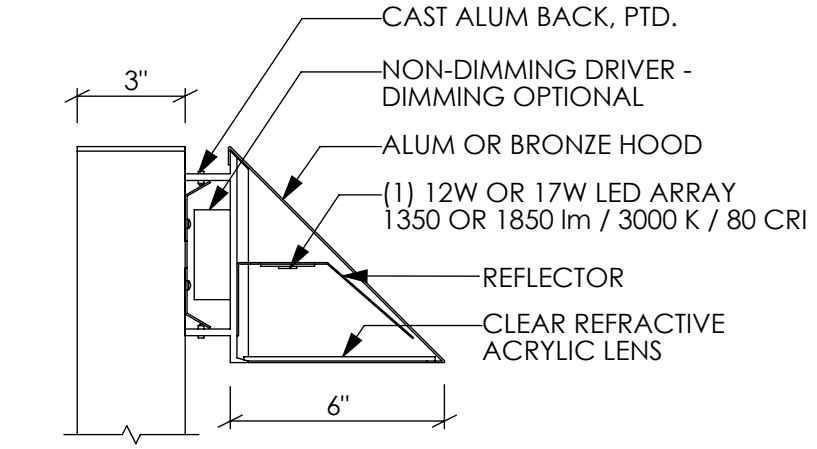
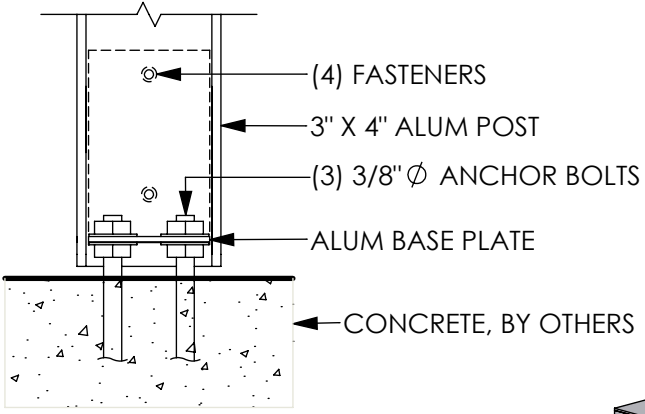


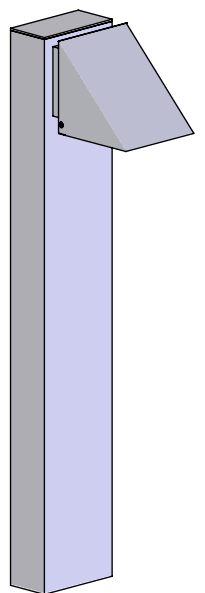
**SIDE ELEV. - DIRECT BURIAL**  
1" = 1' - 0"



**SECTION**  
3" = 1' - 0"



**BASE DETAIL**  
3" = 1' - 0"



**SPEC GUIDE**

SAMPLE SPEC: 919-WD-LED/10-120-NBZ-36" OA

CAT#	POST	LAMPING	VOLT	FINISH	OA
<input type="checkbox"/> 919	<input type="checkbox"/> AL-DB <input type="checkbox"/> AL-BP <input type="checkbox"/> WD	<input type="checkbox"/> CF/13 <input type="checkbox"/> CF/18 <input type="checkbox"/> LED/12 <input type="checkbox"/> LED/17	<input type="checkbox"/> 120	<input type="checkbox"/> NBZ <input type="checkbox"/> SSS <input type="checkbox"/> SGB <input type="checkbox"/> SGW <input type="checkbox"/> SGBZ <input type="checkbox"/> SGS <input type="checkbox"/> CCP	<input type="checkbox"/> 36" STD

**BORDEN LIGHTING**

999 Montague Street  
San Leandro, CA 94577  
510-357-0171 Fax 510-357-3832  
www.bordenlighting.com

PROJECT	TYPE
SPECIFIER	SCALE AS SHOWN
PROJECT SPEC	DATE
NOTE:	DWN MY CKD RB
<input checked="" type="checkbox"/> (UL) & IBEW LABELED <input type="checkbox"/> DRY <input type="checkbox"/> DAMP <input checked="" type="checkbox"/> WET	SPEC NO
	<b>919-AL</b>